

Versatile and cost-effective was the design brief for the Beacon Sounder. With perfect programmability for every desired behavior, you can suit the Beacon Sounder to any application. Furthermore, we've made it really, really loud.

The sound from the beeper are amplified with a specially developed horn. The sound pressure level is rated at 107 dB at a one meter distance. Seriously loud, and more than enough to ensure that no alarm goes unnoticed. With different tones to choose from, including rapidly changing frequencies, there's always an alarm that gets everyone's attention.

The Beacon Sounder, developed by WatchGas, has 38 ultra-bright RGB LEDs for colored lighting. They are so bright that they are even clearly visible in sunlight. With programmable light patterns, you can match it to your procedures. Green is very suitable for a one-glance All-OK mode, for example.

It has a wide voltage range, so it can accept signals from almost any signal-producing apparatus. We don't have a ton of different products with many different article numbers either: There's only one Beacon Sounder and it does all of the above. This makes it one of the most flexible alarming devices on the market, enabling you to standardize a versatile, cost-effective tool.



The Beacon Sounder lights up with adjustable colors for any alarm situation.

Features

- Ultrabright RGB LED array
- Different colors and patterns
- Sound level 107 dB @ 1 meter
- Various sounds
- Compact design
- Easy to program

Application Examples:

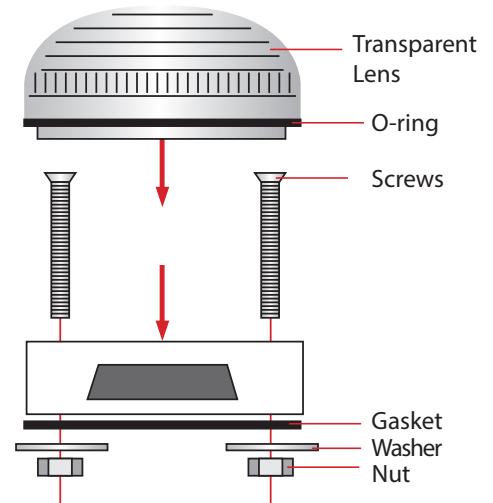
- Noisy Industrial Environments
- Fire and Gas Detection
- Burglary Alarm
- Emergency Lights
- Status Indication
- Machine Safety

Ultra Loud, Ultra Bright. With the Beacon Sounder, no alarm goes unnoticed.

Wide range of controlling voltage. Offers the flexibility you've been looking for.

Beacon Sounder General Specifications

Dimensions	92 x 88 mm (3.6 x 3.5") Dia x H
Weight	250 g (8.82 oz)
Mounting	4x M4x35 bolts
Colors	RGB LED, in Red, Yellow, Green and Blue flashing patterns
Sound	Different types of alarm sounds
Sound Pressure Level	107 dB @ 1 meter (3.3 ft)
Power Supply	9-30V DC (min. 4W)
Standby Current	Max. 10 mA
Trigger Voltage Positive	6-30V DC
Trigger Voltage Ground	Min. 6V DC below supply current
Trigger Current	Max. 6 mA
Cable diameter	Max. 0,5 mm ² (24 to 20 AWG) stranded core



Beacon Sounder Light Patterns Example

Red (1**** Alarm)	Continuous, Fancy loop, Loop or flashing 10 Hz / 50% dutycycle
Yellow (2*** Caution / fault)	Continuous, Fancy loop, Loop or flashing 10 Hz / 50% dutycycle
Green (3* *OK)	Continuous, Fancy loop, Loop or flashing 10 Hz / 50% dutycycle
Blue (4* Miscellaneous)	Continuous, Fancy loop, Loop or flashing 10 Hz / 50% dutycycle

(*) When multiple triggers occur simultaneously, the color with highest priority is displayed.

Beacon Sounder Sound Patterns

Alternating low/high beeps
Continuous 50 Hz
Fast frequency changing
Continuous 2700 Hz

For More Information

www.watchgas.nl
info@watchgas.nl

WatchGas

Sextantstraat 61
 2908 ZZ Capelle aan den IJssel
 +31 (0)85 01 87 709
 The Netherlands

