

# WatchGas XDIwin-F1

## HAZARDOUS AREA GAS DETECTOR

### Remote Fixed Gas Detection offering local control and display

Specification Sheet ref C759C V3

- Explosion proof
- Rugged and reliable
- 3 alarm points
- Addressable or stand alone
- CANbus, 4~20mA outputs
- Wide range of gas types / sensors
- Non intrusive adjustment magnets
- Back lit alpha numeric full status display
- Hyper terminal communications / RS232 - live data and set up with 232 adapter
- One man calibration
- 2 alarm relays plus fault relay or 3 alarm relays
- Data logging



XDIwin-F1  
+ sensor universal fitting

The XDIwin-F1 Gas Sensor is capable of utilising a wide range of sensor cell types offering an unmatched number of gases that may be monitored. Standard 4~20mA signaling with CANbus address enables the sensors to be networked via the WatchGas Combi control system or customer preferred monitoring systems.

#### Certification

- Explosion proof ATEX IECEx
- II 2G Ex db IIC T6...T4 Gb
- II 2D Ex tb IIIC T85°C...T135°C Db

#### Power Supply

18 to 35vDC 24v nominal

#### Outputs

- 3 wire 4~20mA / 4 wire CANbus
- Relays
  - Low alarm S.P.C.O
  - High alarm S.P.C.O
  - Fault alarm S.P.C.O
- Rating 0.5A @30vDC
- Inhibit option during servicing

#### Logging

- Intervals - variable time
- Roll over/stop
- Storage - 2,880 readings

#### Display

- 2 line alpha numeric back lit status display: gas type, concentrating units, alarm levels, alarm status, low/high/over range), sensor ID, inhibit

#### Indicators

- Alarm - Red LED
- Fault - Amber LED (flashing when in inhibit)

#### Housing Material

Copper free aluminium alloy, optional stainless steel

#### Finish

Chemical resistant epoxy paint  
Optional - Marine grade finish  
Sensor material - Stainless Steel 316516

#### Ingress Protection

IP64 + water shield IP65 with hydrophobic screen IP66

#### Cable Entry

2 x M20 - 1.5 pitch - alternatives 25mm - 3/4 NPT

#### Weight

1.6kg

#### Temperature

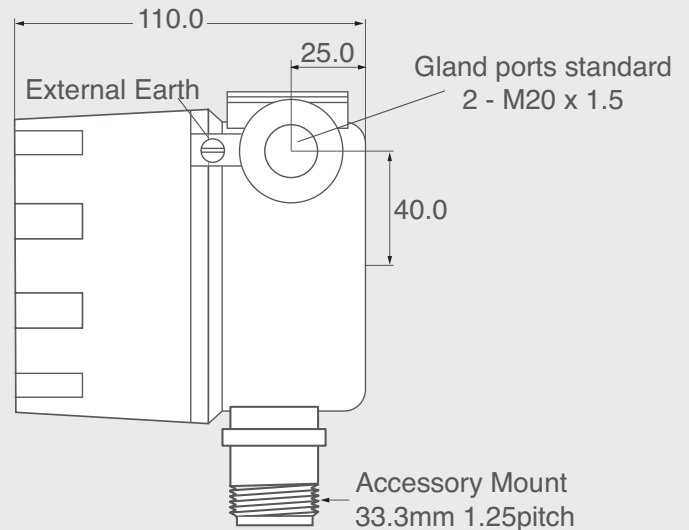
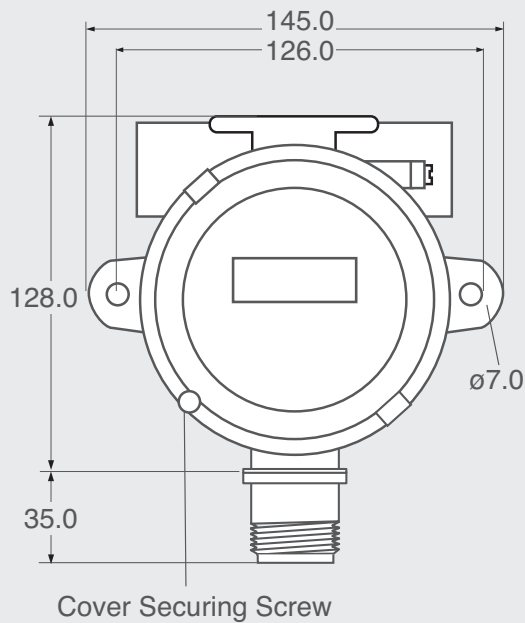
-15°C to +55°C - safe area use  
For hazardous area use see temperature ranges on C1227 (Ex certification summary)

#### Humidity

5 to 95% RH non-condensing

# WatchGas XDIwin-F1

## HAZARDOUS AREA GAS DETECTOR



### Sensor Type

Infra Red, Electrochemical, Catalytic,  
Semiconductor, PID

### Gas Type / Range

Flammable gases - LEL / %Vol  
Toxic gases - ppm/ppb  
Oxygen % vol

### Accessories

- 003-010 Collector Cone & Universal Fitting
- 003-020 Universal fitting (Test Gas Applicator/  
Spray Deflector)
- 003-035 Water Shield - stainless steel
- 008-311 Flow Block - nylatron
- 008-310 Flow Block - stainless steel
- 003-090 Duct Mount Kit
- 003-083 Detector Head Weather Shield
- 003-130 F1 Sensor Thermal Jacket

This document is not contractual and the equipment specification may be modified at any time without prior notice.