

WatchGas XDIwin-F6

HAZARDOUS AREA GAS DETECTOR

Remote Fixed Gas Detection offering local control and display

Specification Sheet ref C958 B v.1

- Explosion proof
- Rugged and reliable
- 3 alarm points
- CANbus / 4~20mA outputs
- Non intrusive adjustment magnets
- Back lit alpha numeric full status display
- Addressable or stand alone
- Hyper terminal communications / RS232 - live data and set up with 232 adapter
- One man calibration
- 2 alarm relays plus fault relay or 3 alarm relays
- Data logging



XDIwin-F1
+ sensor universal fitting

The XDIwin-F6 Gas Sensor is capable of detecting a wide range of flammable gases. Standard 4~20mA signaling with CANbus address enables the sensors to be networked via the WatchGas Combi control system or customer preferred monitoring systems.

Certification

- • Explosion proof ATEX IECEx
- • II 2G Ex db IIC T6...T5 Gb
- • II 2D Ex tb IIIC T85°C...T100°C Db

Power Supply

15 to 30vDC 24v nominal

Outputs

- 3 wire 4~20mA / 4 wire CANbus
- Relays
 - Low alarm S.P.C.O
 - High alarm S.P.C.O
 - Fault alarm S.P.C.O
- Rating 0.5A @30vDC
- Inhibit option during servicing

Logging

- • Intervals - variable time
- • Roll over/stop
- • Storage - 2,880 readings

Display

- 2 line alpha numeric back lit status display: gas type, concentrating units, alarm levels, alarm status, low/high/over range), sensor ID, inhibit

Lid/Base

Thread type with lock screw - 2mm

Housing Material

Copper free aluminium alloy, optional stainless steel

Finish

Chemical resistant epoxy paint

Optional - Marine grade finish

Ingress Protection

IP63 + water shield IP65

Cable Entry

2 x M20 - 1.5 pitch - alternatives 25mm - 3/4 NPT

Weight

1.6kg

Temperature

-15°C to +55°C - safe area use

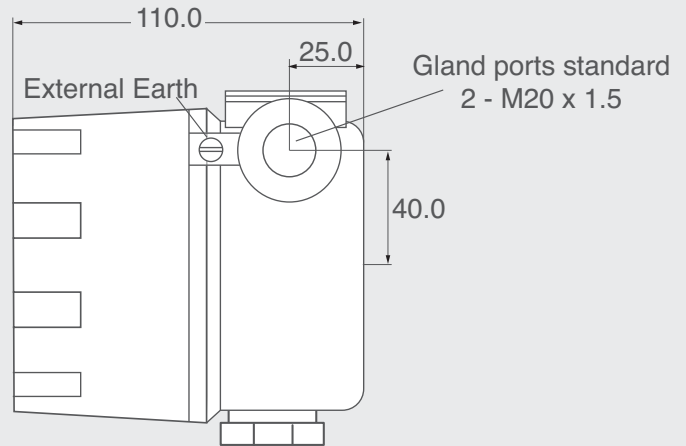
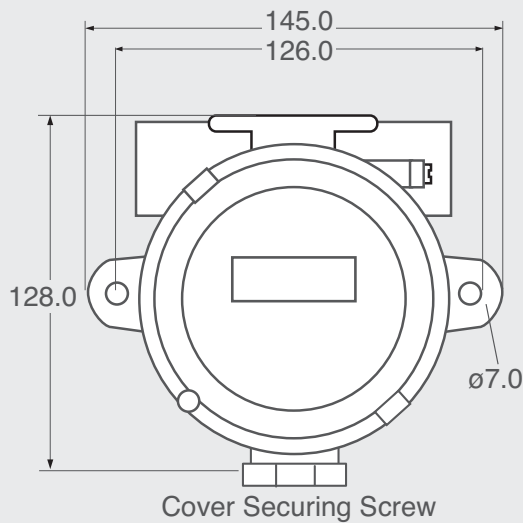
For hazardous area use see temperature ranges on C1227 (Ex certification summary)

Humidity

0 to 99% RH non-condensing

WatchGas XDIwin-F6

HAZARDOUS AREA GAS DETECTOR



Gas Type / Range

Flammable gases - LEL

Accessories

- 003-062 Collector Cone & Universal Fitting
- 003-064 Universal fitting (Test Gas Applicator/
Spray Deflector)
- 003-066 Flow Block - nylatron
- 003-090 Duct Mount Kit
- 003-083 Detector Head Weather Shield

This document is not contractual and the equipment specification may be modified at any time without prior notice.