

# WatchGas XDIwin-PID

## HAZARDOUS AREA GAS DETECTOR

### Remote Fixed Gas Detection offering local control and display

Specification Sheet ref C1507-B V2

- Explosion proof
- Flexible output options
- Non intrusive adjustment using magnets
- Addressable or stand alone
- Hyper terminal communications / RS232 - live data and set up with 232 adapter
- Back lit alpha numeric full status display
- 3 alarm points
- 2 alarm relays plus fault relay or 3 alarm relays
- Data logging



The XDIwin-PID (photoionization detector) is used to measure volatile organic compounds in the low ranges of 0 to 50ppm and 0 to 1000ppm. The unit is fully certified as a flameproof fixed monitor for use in hazardous areas. 4~20mA signaling with CANbus address enables the sensors to be networked via the WatchGas Combi control system or customer preferred monitoring systems.

#### Certification

- Explosion proof ATEX-IECEx
- II 2G Ex db IIC T6...T4 Gb
- II 2D Ex tb IIIC T85°C...T135°C Db

#### Power Supply

- 18 to 35vDC 24v nominal

#### Outputs

3 wire analog 4~20mA

4 wire CANbus

Relays Low alarm S.P.C.O

High alarm S.P.C.O

Fault alarm S.P.C.O / overrange

Rating 0.5A @30vDC

Inhibit option during servicing

#### Logging

Intervals - variable time

Roll over/stop

Storage - 2,880 readings

#### Display

2 line alpha numeric back lit status display:

gas type, concentration, units, alarm levels, alarm status

(low/high/over range), sensor ID, Inhibit

#### Indicators

Alarm - Red LED

Fault - Amber LED - (Flashing when in inhibit)

#### Housing Material

Copper free aluminium alloy, optional stainless steel

#### Finish

Chemical resistant epoxy paint, Ral 9003 signal white

Optional - Marine grade finish

#### Ingress Protection

IP64 + water shield IP65

with hydrophobic screen IP66

#### Cable Entry

2 x M20 - 1.5 pitch - alternatives 25mm - 3/4 NPT

#### Weight

1.6kg

#### Temperature

-15°C to +55°C - safe area use

For hazardous area use see temperature ranges on

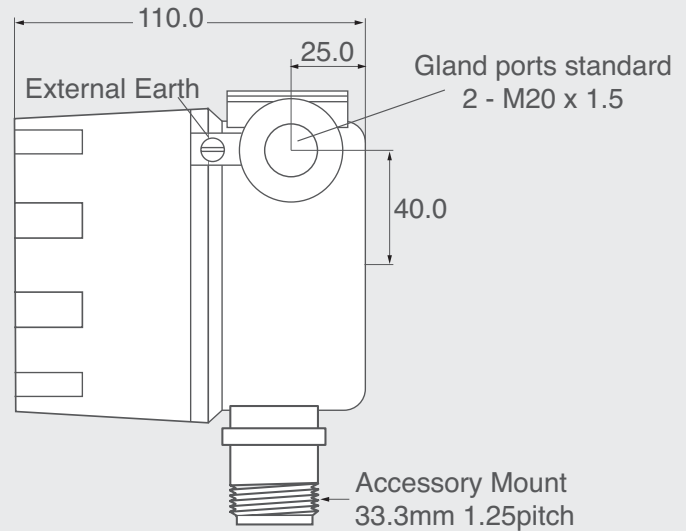
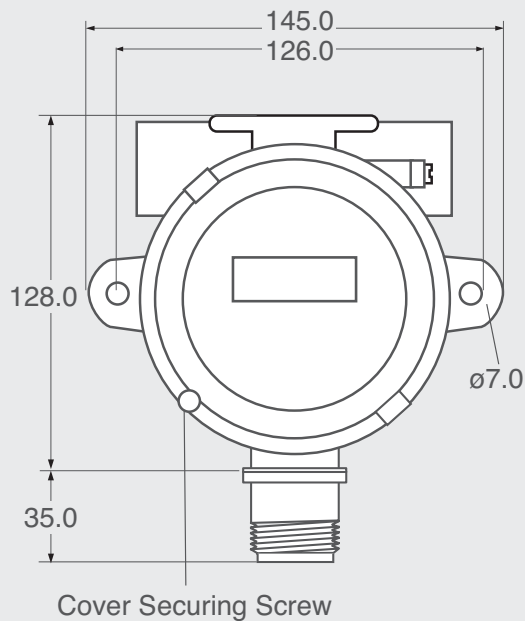
C1227 (Ex certification summary)

#### Humidity

5 to 95% RH non-condensing

# WatchGas XDIwin-PID

## HAZARDOUS AREA GAS DETECTOR



### Accessories

- 003-010 Collector Cone & Universal Fitting
- 003-020 Universal fitting (Test Gas Applicator/  
Spray Deflector)
- 003-035 Water Shield - stainless steel
- 008-311 Flow Block - nylatron
- 008-310 Flow Block - stainless steel
- 003-090 Duct Mount Kit
- 003-083 Detector Head Weather Shield
- 003-130 F1 Sensor Thermal Jacket

### Replacement Parts

- 010-644 PID Bulb\*
- 010-645 PID Electrode Stack
- 010-646 PID Spring
- 010-647 PID Extraction Tool

### Sensor Type

Photo ionisation - PID

### Target Gases

VOC's with ionisation potentials <10.6 eV

### Range

Isobutylene 0-200ppm (0-1000ppm max)  
Isobutylene 5ppb to 50ppm option  
see gas listing G645

### Overrange

Isobutylene 5000ppm

### Response Time T90

<15 seconds

### Operating Life

Expected 5 years (excluding replaceable lamp and  
electronic stack - \*6 months continuous operation)

This document is not contractual and the equipment specification may be modified at any time without prior notice.